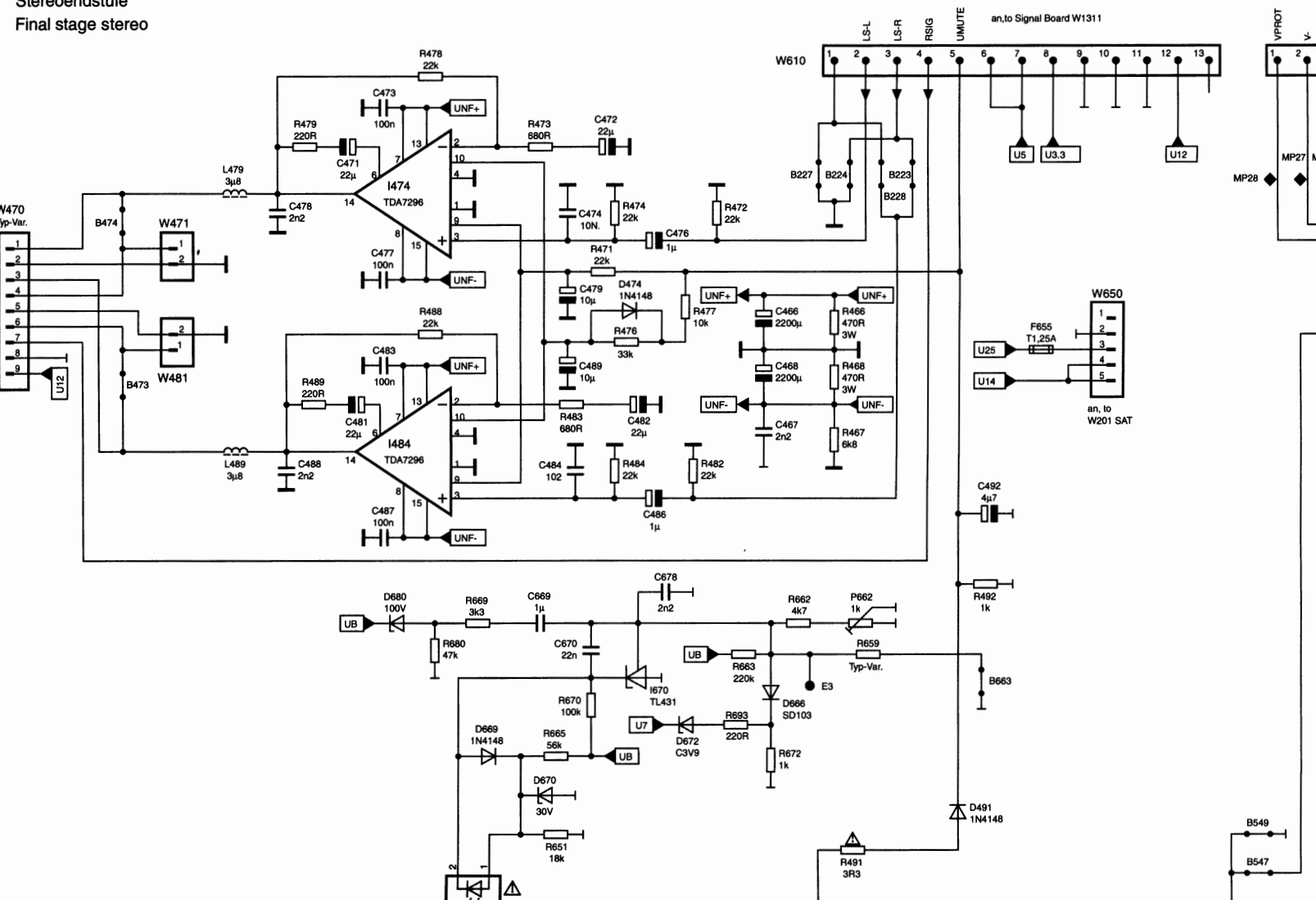
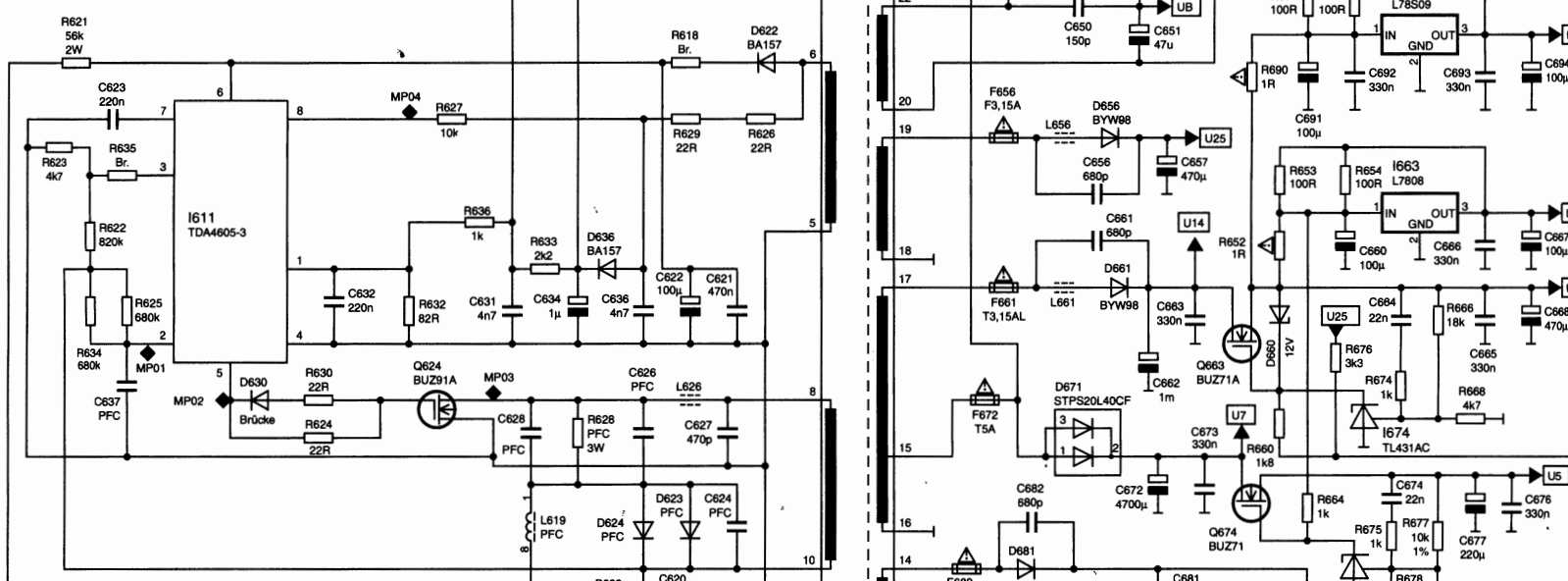


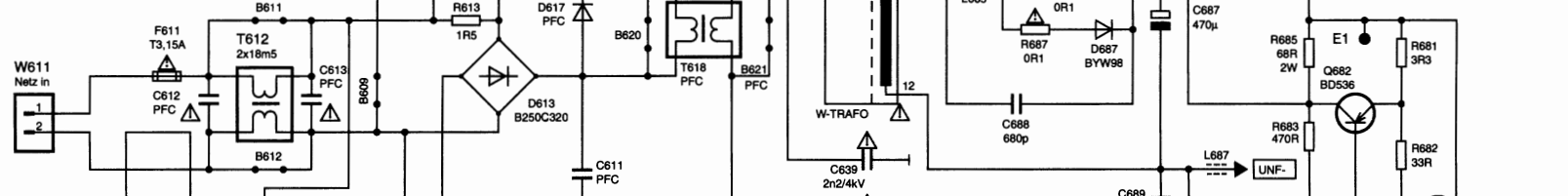
Stereostufe
Final stage stereo

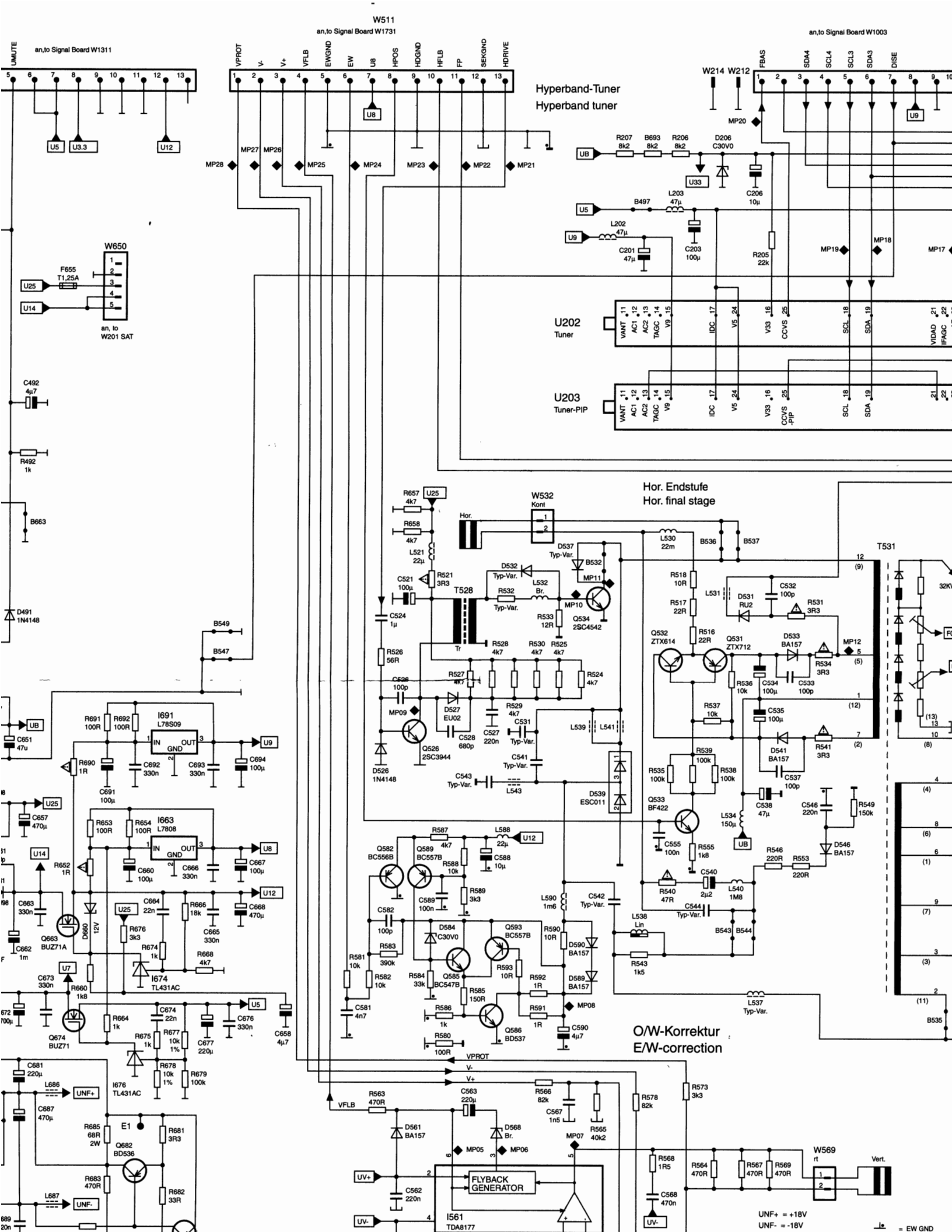


Netzteil
Power supply



an Bedienteil
to Control unit





W511
an.to Signal Board W1731

an.to Signal Board W1003

Hyperband-Tuner Hyperband tuner

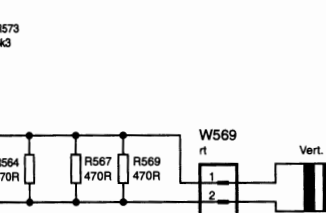
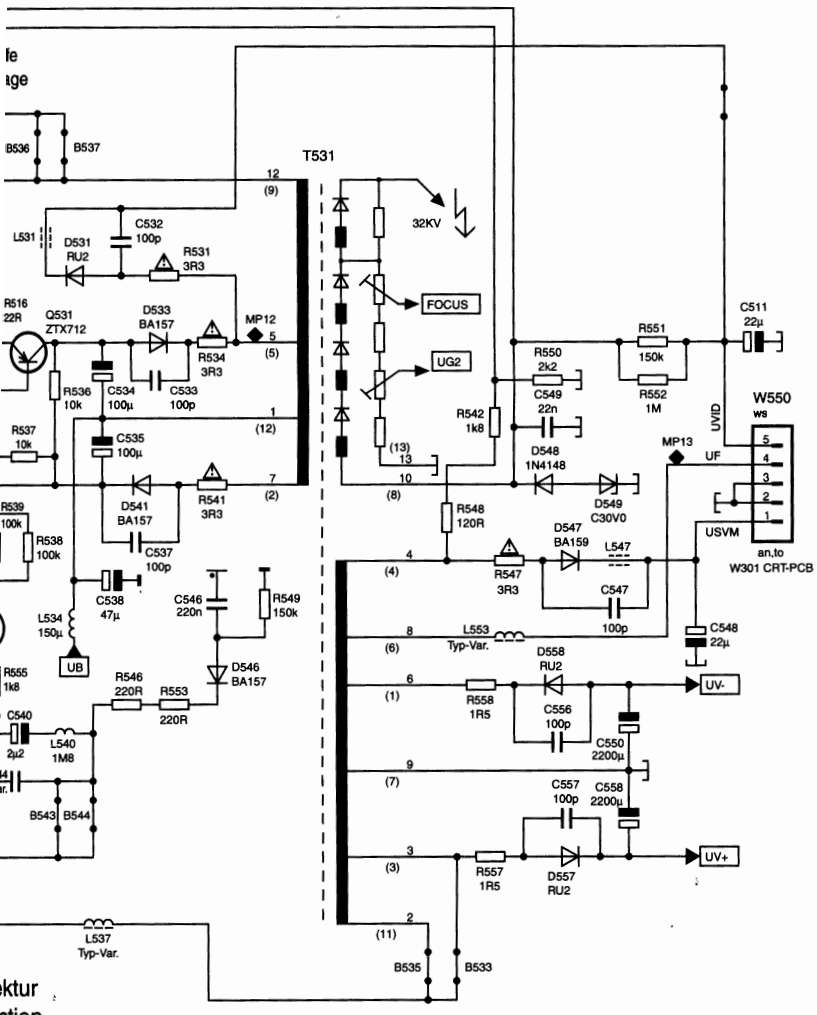
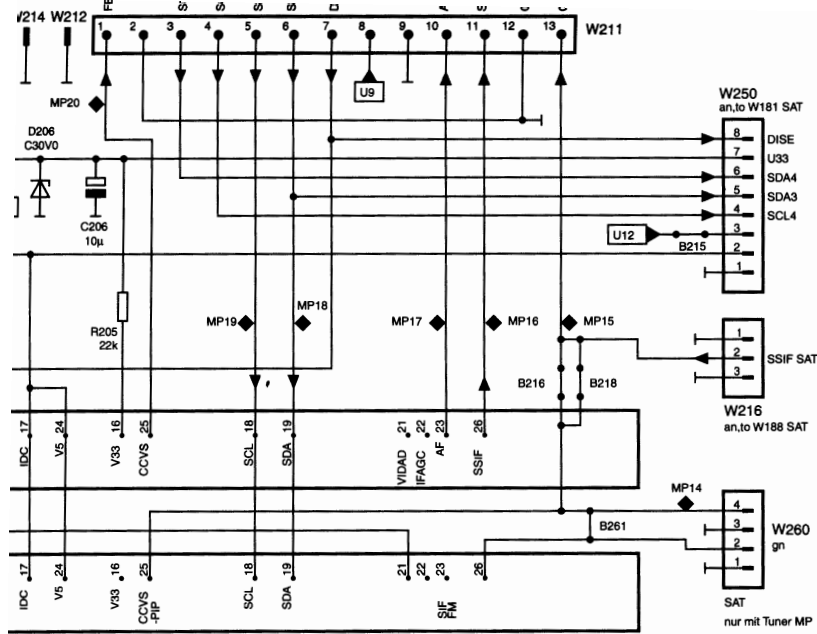
Hor. Endstufe Hor. final stage

O/W-Korrektur E/W-correction

FLYBACK GENERATOR

UNF+ = +18V
UNF- = -18V

E/W GND

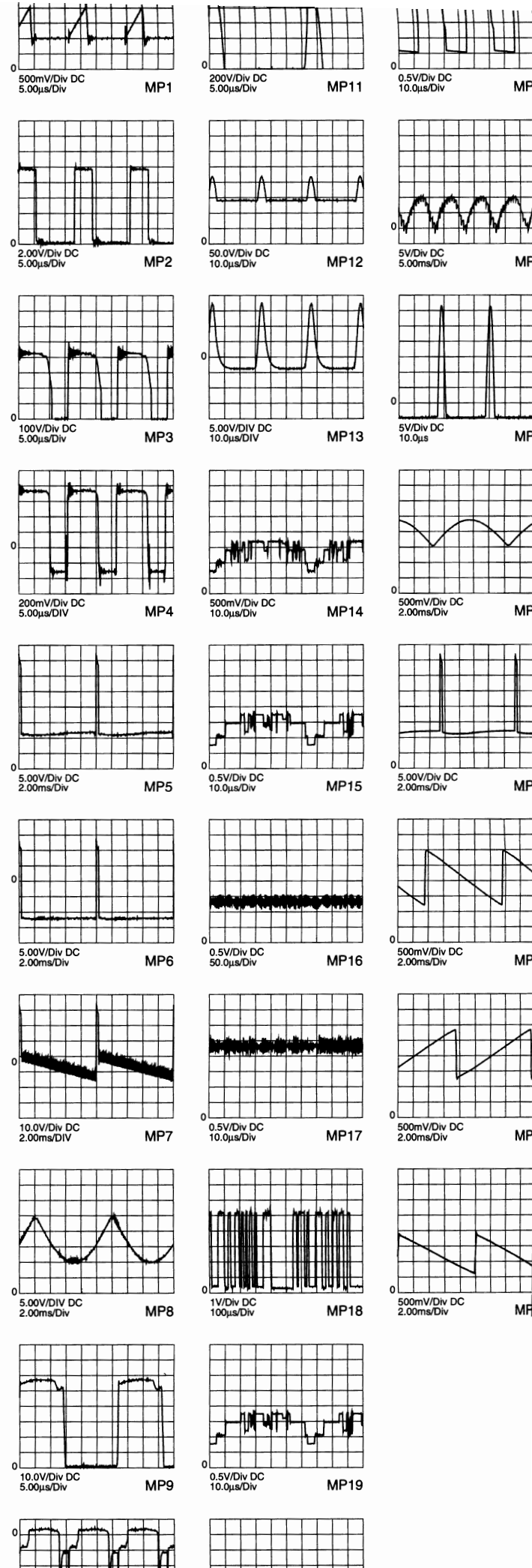


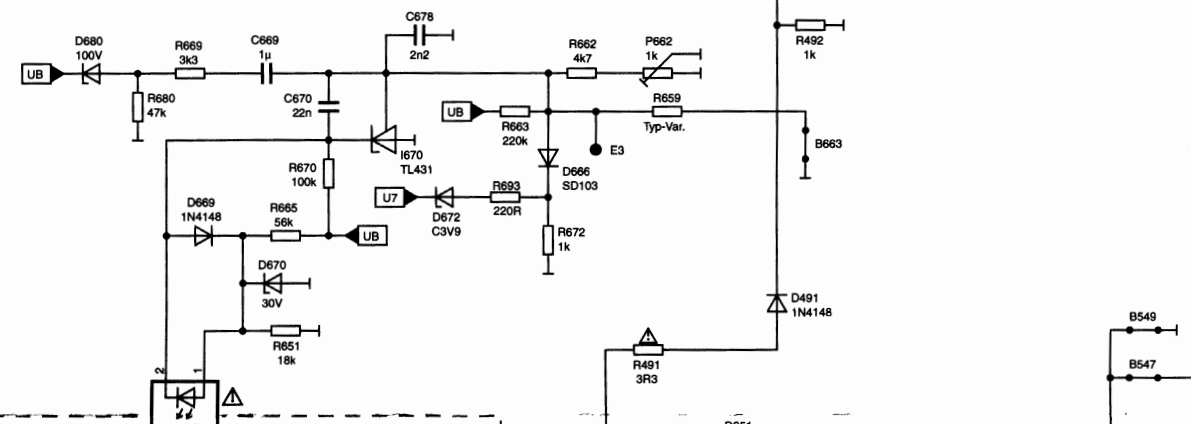
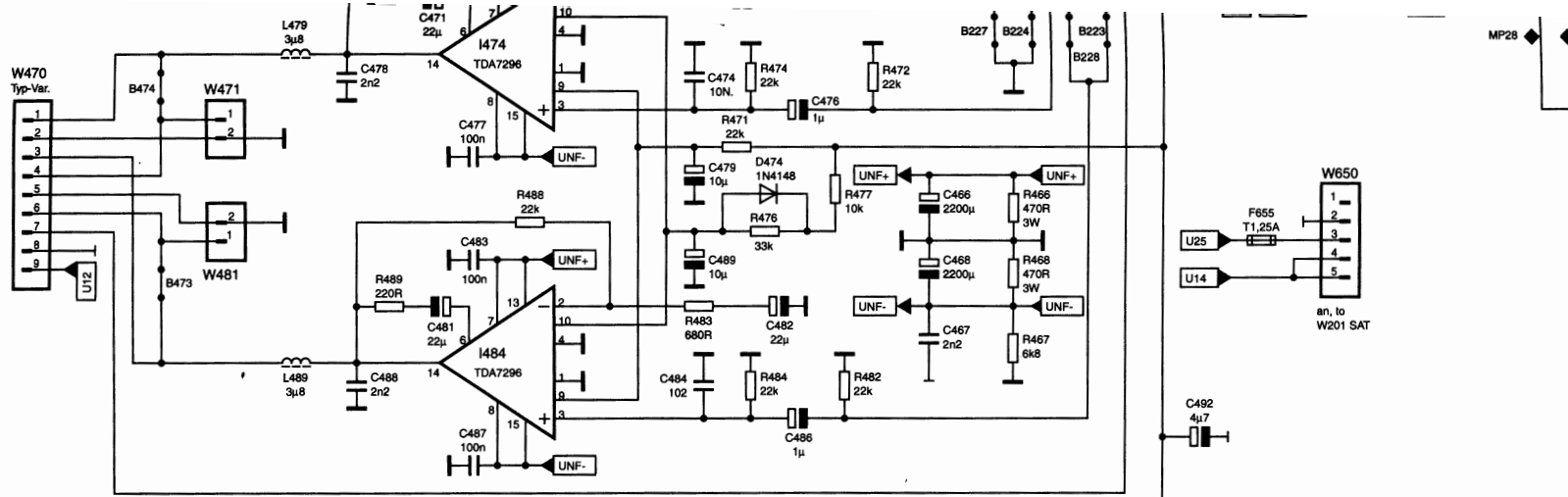
- UNF+ = +18V
- UNF- = -18V
- UVID = 210V
- UMUTE = +13V
- UV+ = +13.5V
- UV- = -13.5V
- UG2 = 760V
- UG = 142V 24°4'3"

- EW GND
- Defl GND
- HOGND
- HPGND

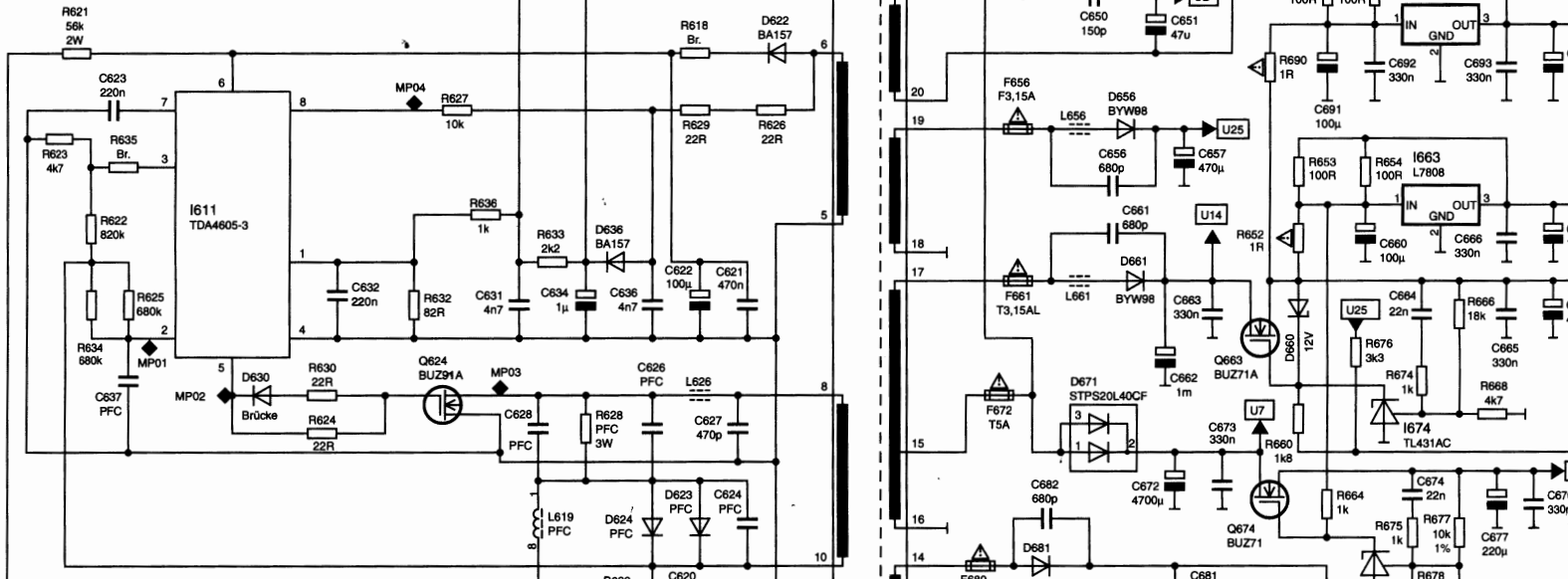
Benennung: **Basic Board Q4140**
 Variante: alle Varianten

LOEWE.

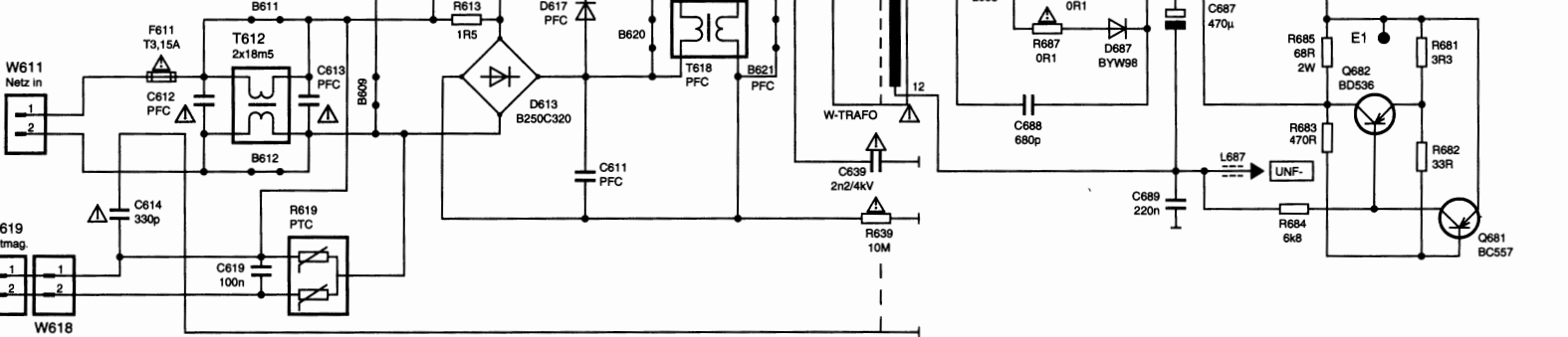




**Netzteil
Power supply**



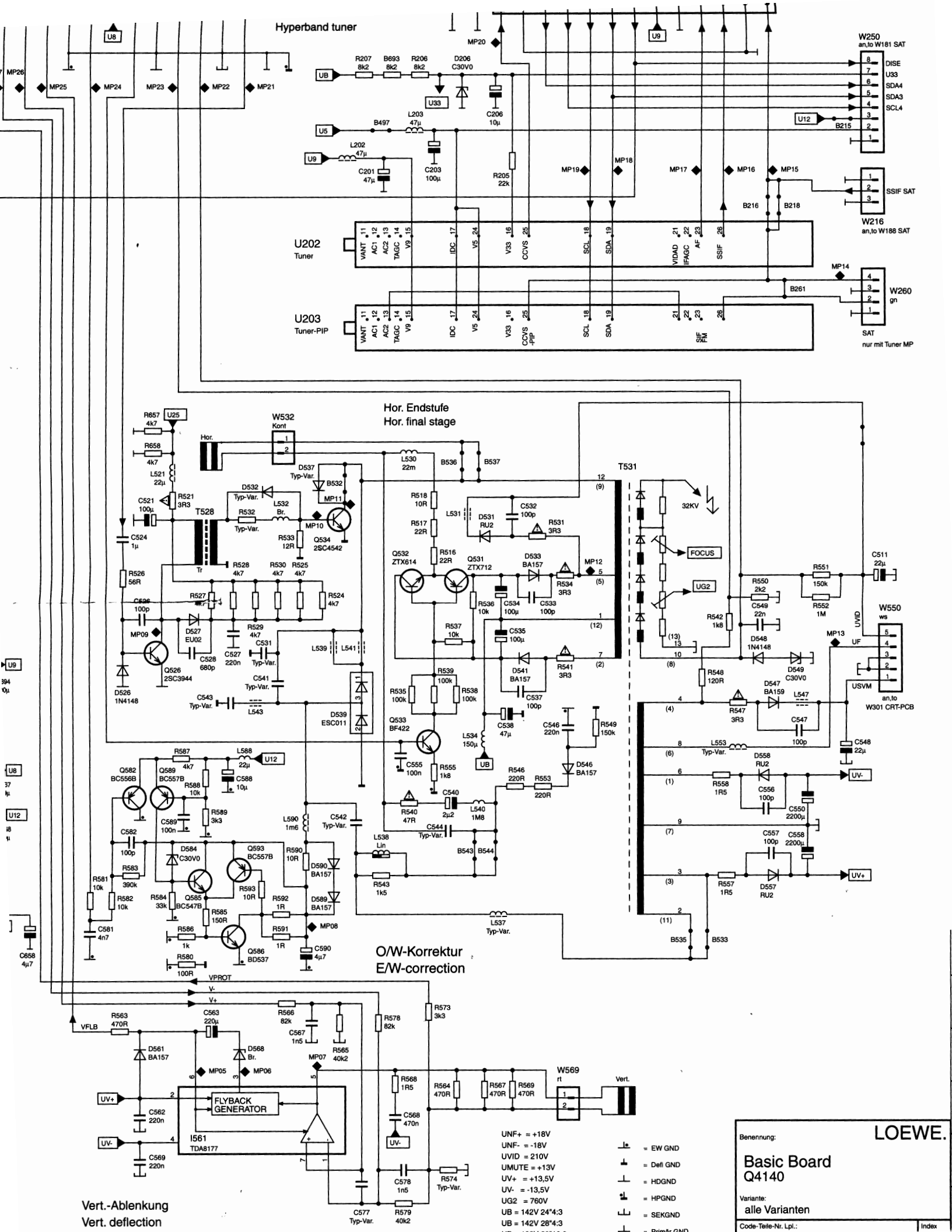
**an Bedienteil
to Control unit**



**Netzspannungs-Potential
Supply voltage potential**

**Geräte-Potential (erdfrei)
Set potential (off ground)**

**an Entmagnetisierung
to Degaussing**



Hyperband tuner

**U202
Tuner**

**U203
Tuner-PIP**

**Hor. Endstufe
Hor. final stage**

**O/W-Korrektur
E/W-correction**

FLYBACK GENERATOR

- UNF+ = +18V
- UNF- = -18V
- UIDV = 210V
- UMUTE = +13V
- UV+ = +13,5V
- UV- = -13,5V
- UG2 = 760V
- UB = 142V 24°4:3
- UB = 142V 28°4:3

- = EW GND
- = Defl GND
- = HDGND
- = HPGND
- = SEKGND
- = Drive GND

Benennung: **LOEWE.**

Basic Board Q4140

Variante: **alle Varianten**

Code-Teile-Nr. Lpt.: _____

Inde: _____

Vert.-Ablenkung
Vert. deflection